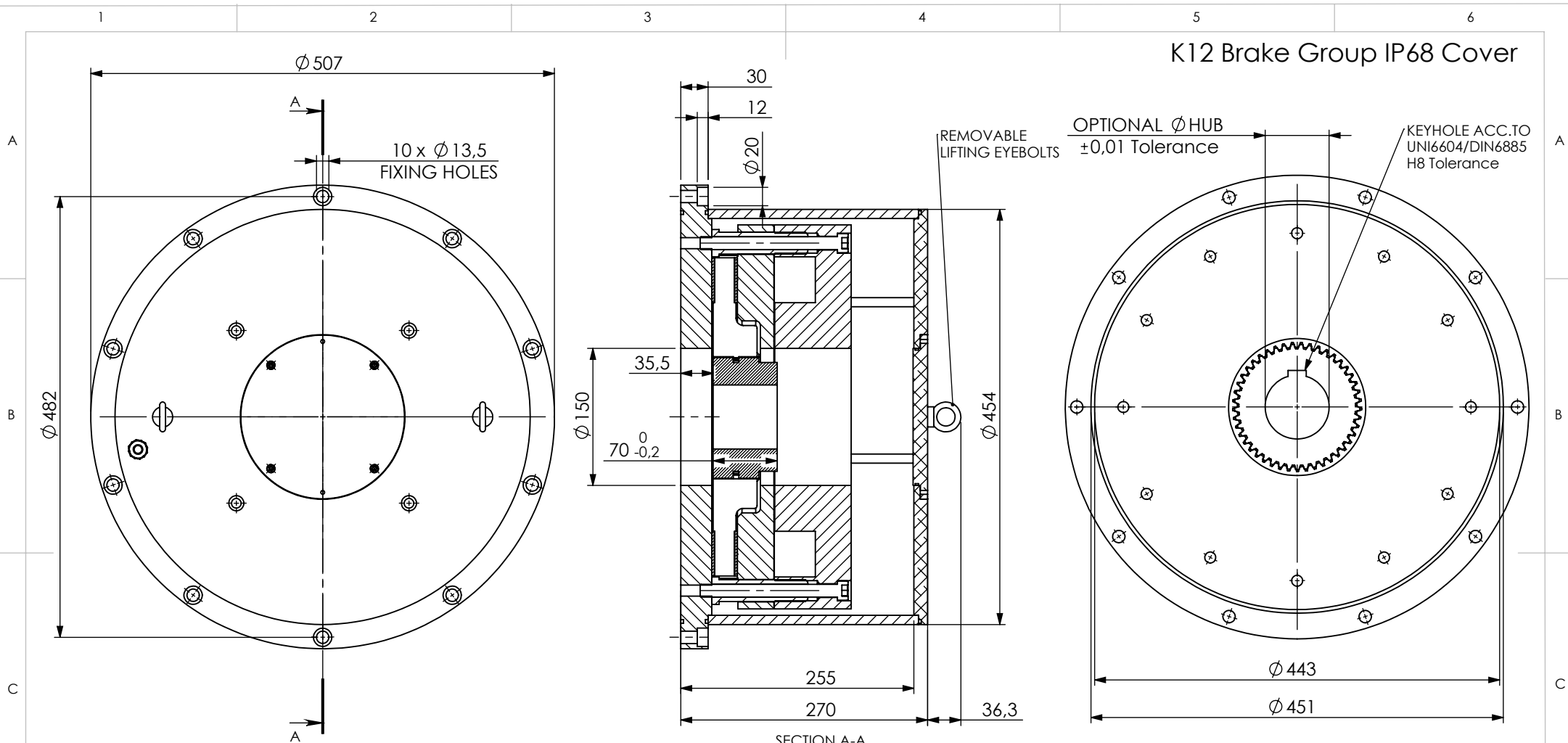
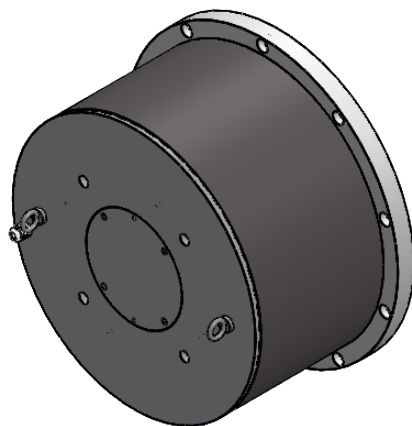


K12 Brake Group IP68 Cover



SECTION A-A
SCALE 1 : 6



CHIMICAL TREATMENT: TERMICAL TREATMENT:	This drawing replaces all previous revisions REV.: 17/10/2023 13:44:23						
CHARACTERISTICS DEFINITION: SYMBOL DEFINITION	GENERAL TOLERANCES ACCORDING TO: UNI -EN 22768-cK GENERAL Rq: 6,3 / 3,2 / 1,6 / 0,8 (RETIFICA) NON DIMENSIONED EDGES: 0,2x45° DRAWING NAME:						
<table border="1"> <thead> <tr> <th>SYMBOL</th> <th>DEFINITION</th> </tr> </thead> <tbody> <tr> <td>\triangle</td> <td>CRITICAL DIMENSION QUALITY CONTROL BALOON</td> </tr> <tr> <td>\circ</td> <td>STANDARD DIMENSION QUALITY CONTROL BALOON</td> </tr> </tbody> </table>	SYMBOL	DEFINITION	\triangle	CRITICAL DIMENSION QUALITY CONTROL BALOON	\circ	STANDARD DIMENSION QUALITY CONTROL BALOON	<h2>K12 Brake Group IP68 Cover</h2>
SYMBOL	DEFINITION						
\triangle	CRITICAL DIMENSION QUALITY CONTROL BALOON						
\circ	STANDARD DIMENSION QUALITY CONTROL BALOON						
MATERIAL:	Temporiti srl Via Mattei, 8 - 20010 Mesero (MI) tel. 02 9787331 - fax 02 97289574						
PESO: g	DRAWN BY: FF CHECKED BY: GO SCALE: 1:2 PAGE 1 di 1						