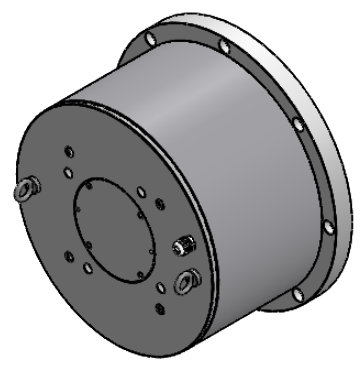
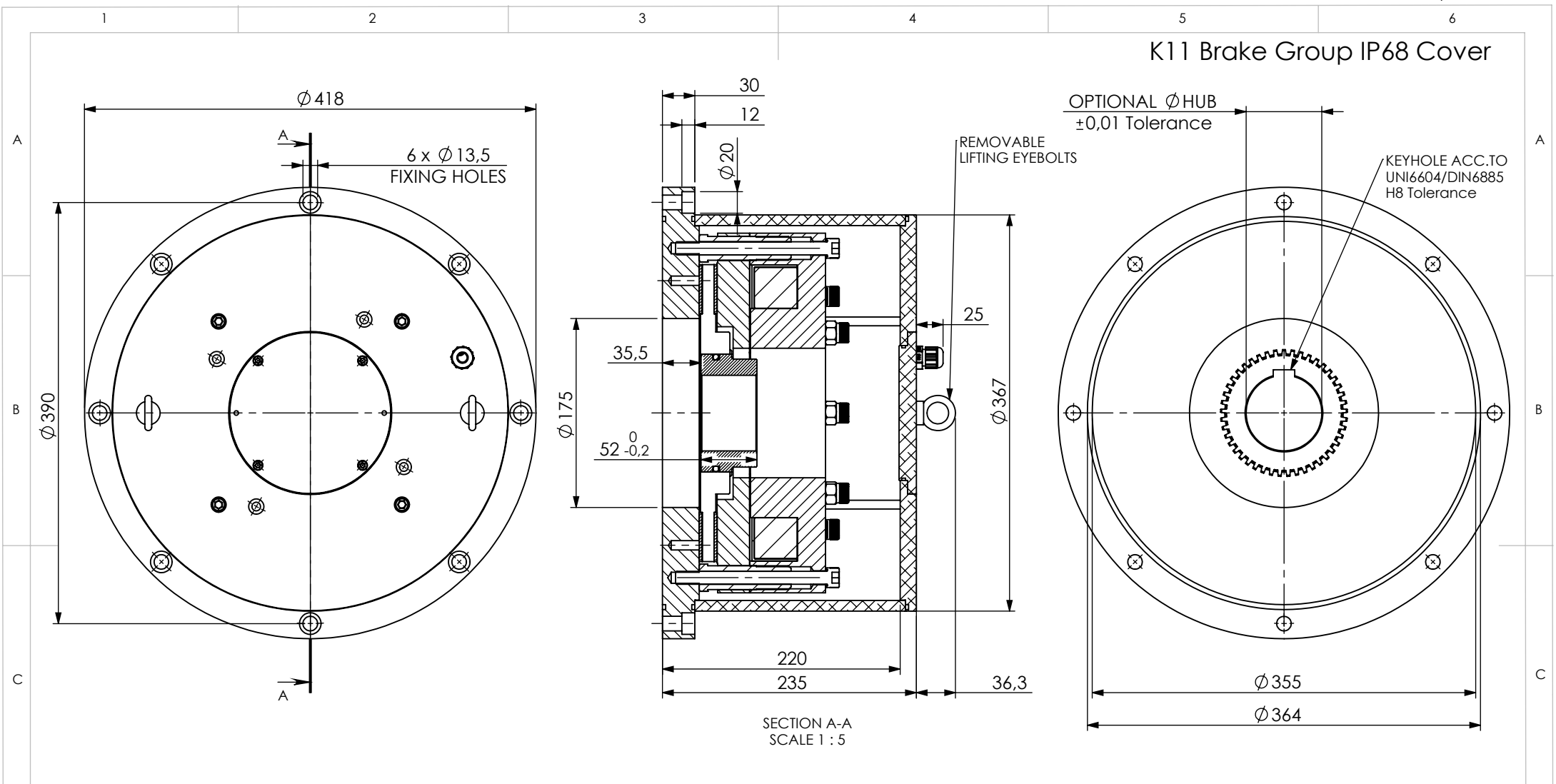


# K11 Brake Group IP68 Cover



CHIMICAL TREATMENT: TERMICAL TREATMENT:	This drawing replaces all previous revisions REV.: 17/10/2023 11:01:30						
CHARACTERISTICS DEFINITION: SYMBOL      DEFINITION	GENERAL TOLERANCES ACCORDING TO:      GENERAL Ra: 6,3      3,2      1,2 UNI -EN 22768-cK      ( $\nabla$ ; $\nabla$ )      RETIFICA						
NON DIMENSIONED EDGES: 0,2x45°	DRAWING NAME:						
<table border="1"> <tr> <th>SYMBOL</th> <th>DEFINITION</th> </tr> <tr> <td><math>\nabla</math></td> <td>CRITICAL DIMENSION QUALITY CONTROL BALOON</td> </tr> <tr> <td><math>\circ</math></td> <td>STANDARD DIMENSION QUALITY CONTROL BALOON</td> </tr> </table>	SYMBOL	DEFINITION	$\nabla$	CRITICAL DIMENSION QUALITY CONTROL BALOON	$\circ$	STANDARD DIMENSION QUALITY CONTROL BALOON	K11 Brake Group IP68 Cover
SYMBOL	DEFINITION						
$\nabla$	CRITICAL DIMENSION QUALITY CONTROL BALOON						
$\circ$	STANDARD DIMENSION QUALITY CONTROL BALOON						
MATERIAL:	Temporiti srl Via Mattei, 8 - 20010 Mesero (MI) tel. 02 9787331 - fax 02 97289574						
PESO:      g	DRAWN BY: FF      CHECKED BY: GO      SCALE: 1:2      PAGE 1 di 1						