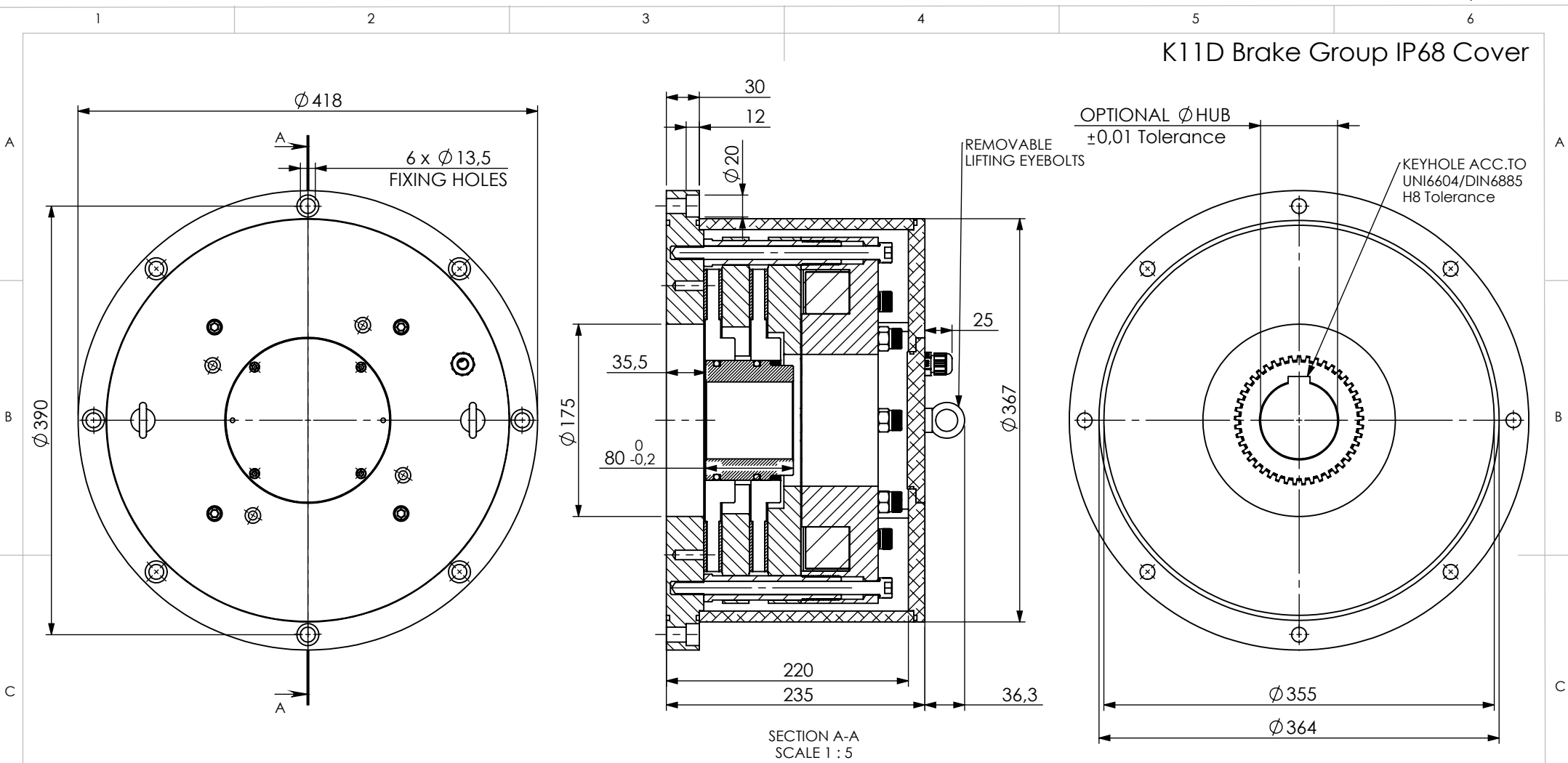
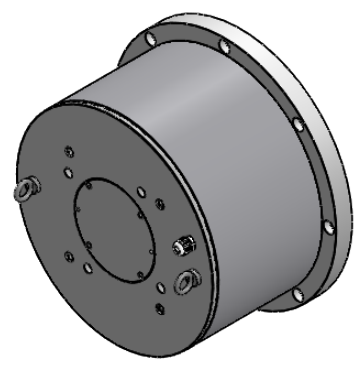


K11D Brake Group IP68 Cover



SECTION A-A
SCALE 1 : 5



CHIMICAL TREATMENT: TERMICAL TREATMENT:	This drawing replaces all previous revisions		REV.: 17/10/2023 11:14:45
CHARACTERISTICS DEFINITION: SYMBOL DEFINITION		GENERAL TOLERANCES ACCORDING TO: UNI -EN 22768-cK	
(n)	CRITICAL DIMENSION QUALITY CONTROL BALOON	GENERAL Rq: 6.3 / 3.2 / 1.2 (RETTIFICA) 3.2 / 1.6 / 0.8	
(n)	STANDARD DIMENSION QUALITY CONTROL BALOON	NON DIMENSIONED EDGES: 0,2x45°	
MATERIAL:		DRAWING NAME: <h2>K11D Brake Group IP68 Cover</h2>	
PESO: g		Temporiti srl Via Mattei, 8 - 20010 Mesero (MI) tel. 02 9787331 - fax 02 97289574	
DRAWN BY: FF		CHECKED BY: GO	SCALE: 1:2
PAGE 1 di 1		A4	

Il presente disegno è proprietà esclusiva di Temporiti srl che si riserva il diritto di apportare modifiche in qualsiasi momento e senza preavviso. Riproduzione vietata senza autorizzazione.
 This drawing is property of Temporiti srl that reserves the right to make changes at any time and without notice. Reproduction forbidden without permission.