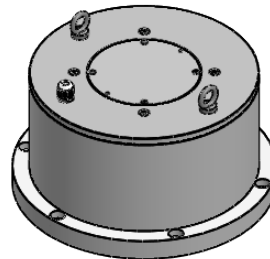
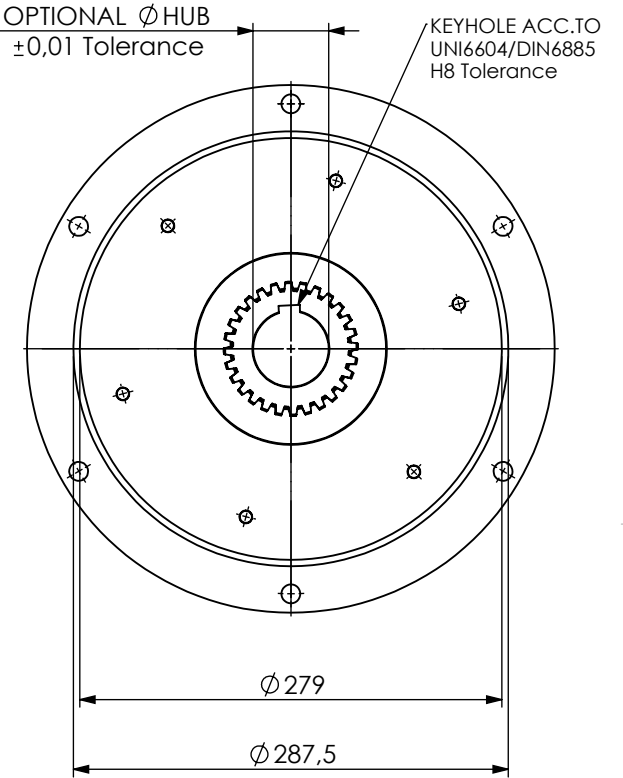
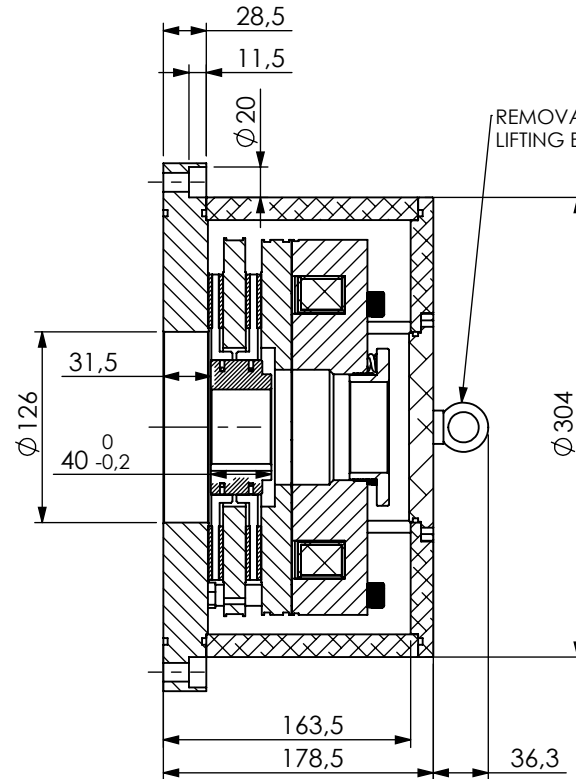
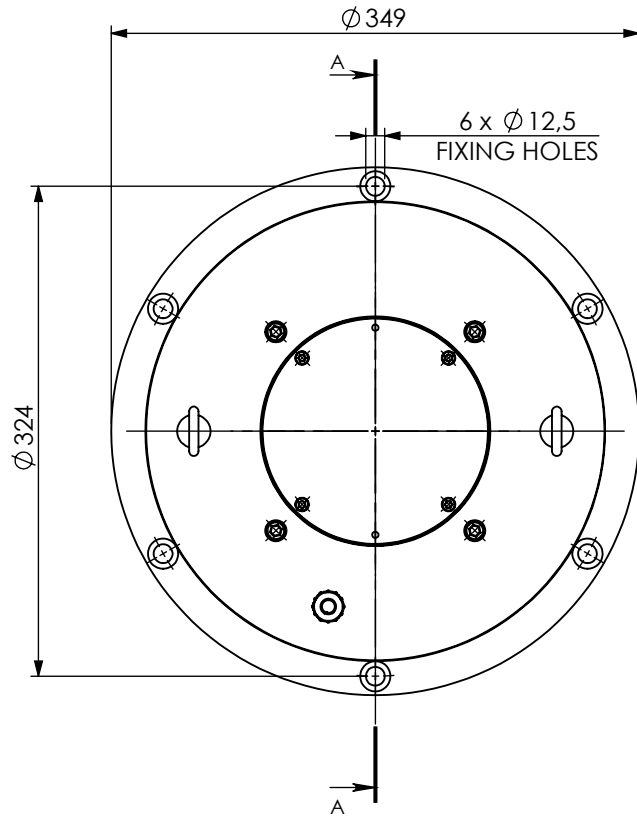


K9D Brake Group Ip68 Cover



CHEMICAL TREATMENT: THERMICAL TREATMENT:	This drawing replaces all previous revisions REV.: 17/10/2023 11:16:42
CHARACTERISTICS DEFINITION: SYMBOL DEFINITION	GENERAL TOLERANCES ACCORDING TO: GENERAL Ra: 6.3 3.2 1.2 UNI -EN 22768-cK (/ ; /) NON DIMENSIONED EDGES: 0,2x45° DRAWING NAME:
MATERIAL:	K9D Brake Group Ip68 Cover
PESO: g	DRAWN BY: FF CHECKED BY: GO SCALE: 1:2 PAGE 1 di 1