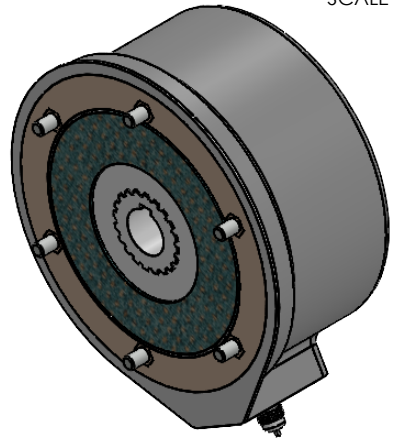


SECTION A-A
SCALE 1 : 4



CHEMICAL TREATMENT:		TERMICAL TREATMENT:		This drawing replaces all previous revisions REV.: 23/02/2024 11:18:14							
CHARACTERISTICS DEFINITION:		GENERAL TOLERANCES ACCORDING TO: UNI -EN 22768-cK		GENERAL Ra: 6.3 / 3.2 / 1.6 / 0.8 <small>RETIFICA</small>							
<table border="1"> <thead> <tr> <th>SYMBOL</th> <th>DEFINITION</th> </tr> </thead> <tbody> <tr> <td></td> <td>CRITICAL DIMENSION QUALITY CONTROL BALOON</td> </tr> <tr> <td></td> <td>STANDARD DIMENSION QUALITY CONTROL BALOON</td> </tr> </tbody> </table>		SYMBOL	DEFINITION		CRITICAL DIMENSION QUALITY CONTROL BALOON		STANDARD DIMENSION QUALITY CONTROL BALOON	NON DIMENSIONED EDGES: 0,2x45° DRAWING NAME:			
SYMBOL	DEFINITION										
	CRITICAL DIMENSION QUALITY CONTROL BALOON										
	STANDARD DIMENSION QUALITY CONTROL BALOON										
MATERIAL:		K08 Cover Ip68 Brake Group									
PESO: g		Temporiti srl Via Mattei, 8 - 20010 Mesero (MI) tel. 02 9787331 - fax 02 97289574									
DRAWN BY: FF		CHECKED BY: GO		SCALE: 1:2							
				PAGE 1 di 1							

Il presente disegno è proprietà esclusiva di Temporiti srl che si riserva il diritto di apportare modifiche in qualsiasi momento e senza preavviso. Riproduzione vietata senza autorizzazione.
 This drawing is property of Temporiti srl that reserves the right to make changes at any time and without notice. Reproduction forbidden without permission.