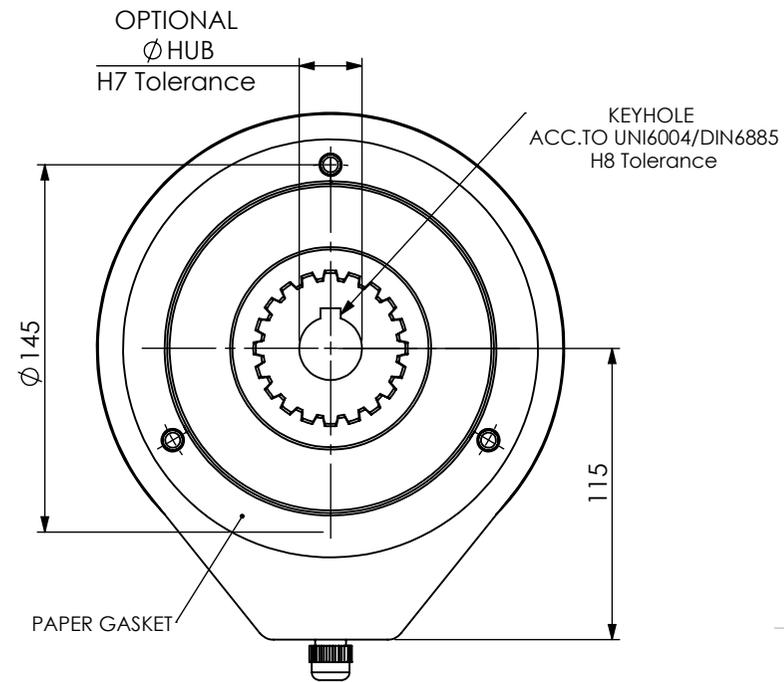


SECTION A-A
SCALE 1 : 3



CHEMICAL TREATMENT:		TERMICAL TREATMENT:		This drawing replaces all previous revisions		REV.: 23/02/2024 10:56:35	
CHARACTERISTICS DEFINITION:				GENERAL TOLERANCES ACCORDING TO: UNI -EN 22768-cK		GENERAL Ra: 6.3 3.2 1.6 0.8 1.2 RETIFICA	
SYMBOL		DEFINITION		NON DIMENSIONED EDGES: 0,2x45°			
△n		CRITICAL DIMENSION QUALITY CONTROL BALOON		DRAWING NAME: K06 Cover Ip68 Brake Group			
○n		STANDARD DIMENSION QUALITY CONTROL BALOON					
MATERIAL:				 Temporiti srl Via Mattei, 8 - 20010 Mesero (MI) tel. 02 9787331 - fax 02 97289574		 A4	
PESO:		g		DRAWN BY: FF		CHECKED BY: GO	
				SCALE: 1:2		PAGE 1 di 1	