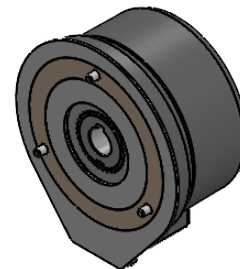
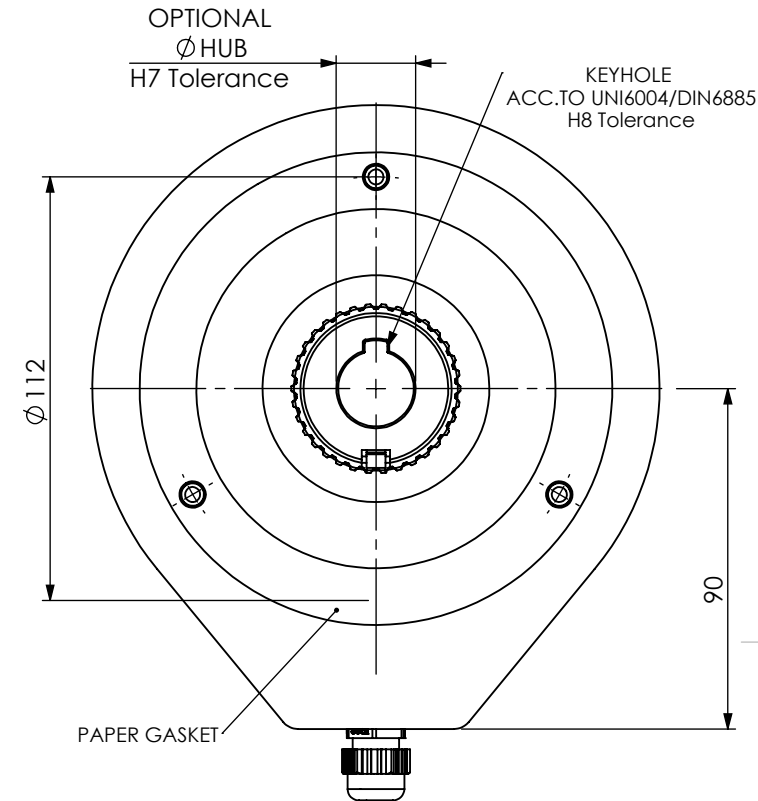


SECTION A-A
SCALE 1 : 2



CHEMICAL TREATMENT: TERMICAL TREATMENT:	This drawing replaces all previous revisions REV.: 23/02/2024 10:52:51						
CHARACTERISTICS DEFINITION:	GENERAL TOLERANCES ACCORDING TO: UNI -EN 22768-cK GENERAL Ra: 6.3 / 3.2 / 1.6 / 0.8 (RETIFICA)						
<table border="1"> <thead> <tr> <th>SYMBOL</th> <th>DEFINITION</th> </tr> </thead> <tbody> <tr> <td></td> <td>CRITICAL DIMENSION QUALITY CONTROL BALOON</td> </tr> <tr> <td></td> <td>STANDARD DIMENSION QUALITY CONTROL BALOON</td> </tr> </tbody> </table>	SYMBOL	DEFINITION		CRITICAL DIMENSION QUALITY CONTROL BALOON		STANDARD DIMENSION QUALITY CONTROL BALOON	NON DIMENSIONED EDGES: 0,2x45° DRAWING NAME: <h2>Cover Ip68 K04 Brake group</h2>
SYMBOL	DEFINITION						
	CRITICAL DIMENSION QUALITY CONTROL BALOON						
	STANDARD DIMENSION QUALITY CONTROL BALOON						
MATERIAL:	Temporiti srl Via Mattei, 8 - 20010 Mesero (MI) tel. 02 9787331 - fax 02 97289574						
PESO: g	DRAWN BY: FF CHECKED BY: GO SCALE: 1:2 PAGE 1 di 1						