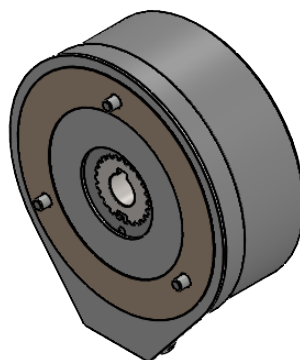
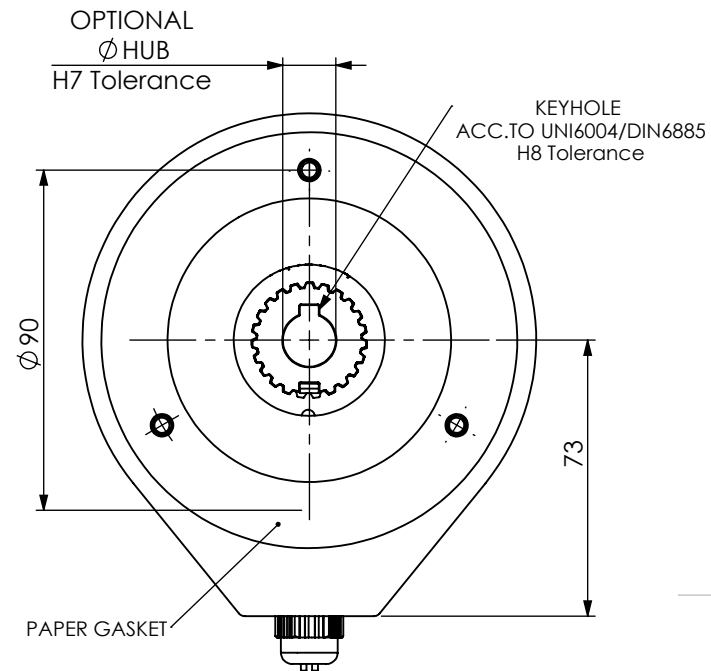




SECTION A-A



CHEMICAL TREATMENT: TERMICAL TREATMENT:		This drawing replaces all previous revisions REV.: 23/02/2024 10:51:48							
CHARACTERISTICS DEFINITION:		GENERAL TOLERANCES ACCORDING TO: UNI -EN 22768-cK	GENERAL Ra: 6.3 / 3.2 / 1.6 / 0.8 <small>RETIFICA</small>						
<table border="1"> <thead> <tr> <th>SYMBOL</th> <th>DEFINITION</th> </tr> </thead> <tbody> <tr> <td>\triangle</td> <td>CRITICAL DIMENSION QUALITY CONTROL BALOON</td> </tr> <tr> <td>\circ</td> <td>STANDARD DIMENSION QUALITY CONTROL BALOON</td> </tr> </tbody> </table>		SYMBOL	DEFINITION	\triangle	CRITICAL DIMENSION QUALITY CONTROL BALOON	\circ	STANDARD DIMENSION QUALITY CONTROL BALOON	NON DIMENSIONED EDGES: 0,2x45° DRAWING NAME: <h2>Cover Ip68 K02</h2>	
SYMBOL	DEFINITION								
\triangle	CRITICAL DIMENSION QUALITY CONTROL BALOON								
\circ	STANDARD DIMENSION QUALITY CONTROL BALOON								
MATERIAL:		 Temporiti srl Via Mattei, 8 - 20010 Mesero (MI) tel. 02 9787331 - fax 02 97289574							
PESO: g	DRAWN BY: FF	CHECKED BY: GO	SCALE: 1:2						
		 A4 PAGE 1 di 1							