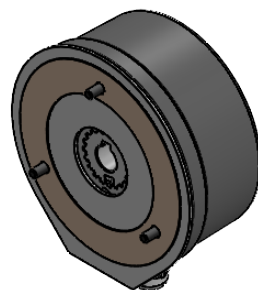
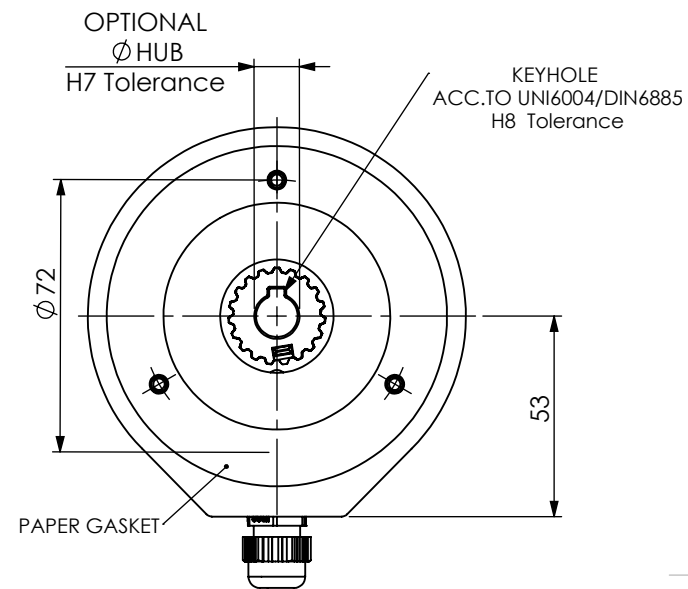


SECTION A-A



<p>CHIMICAL TREATMENT:</p>	<p>TERMICAL TREATMENT:</p>	<p>This drawing replaces all previous revisions</p>	<p>REV.: 23/02/2024 10:49:48</p>						
<p>GENERAL TOLERANCES ACCORDING TO: UNI -EN 22768-cK</p>		<p>GENERAL Ra:</p>	<p>6.3 3.2 1.2 0.8 RETIFICA</p>						
<p>CHARACTERISTICS DEFINITION:</p>		<p>NON DIMENSIONED EDGES: 0,2x45°</p>							
<table border="1"> <thead> <tr> <th>SYMBOL</th> <th>DEFINITION</th> </tr> </thead> <tbody> <tr> <td></td> <td>CRITICAL DIMENSION QUALITY CONTROL BALOON</td> </tr> <tr> <td></td> <td>STANDARD DIMENSION QUALITY CONTROL BALOON</td> </tr> </tbody> </table>	SYMBOL	DEFINITION		CRITICAL DIMENSION QUALITY CONTROL BALOON		STANDARD DIMENSION QUALITY CONTROL BALOON	<p>DRAWING NAME: K01 Cover Ip68</p>		
SYMBOL	DEFINITION								
	CRITICAL DIMENSION QUALITY CONTROL BALOON								
	STANDARD DIMENSION QUALITY CONTROL BALOON								
<p>MATERIAL:</p>		<p> Temporiti srl Via Mattei, 8 - 20010 Mesero (MI) tel. 02 9787331 - fax 02 97289574</p>							
<p>PESO: g</p>	<p>DRAWN BY: FF CHECKED BY: GO SCALE: 1:2</p>		<p> A4</p>						
<p>PAGE 1 di 1</p>									