

1 2 3 4 5 6

A

B

C

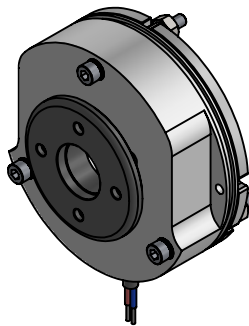
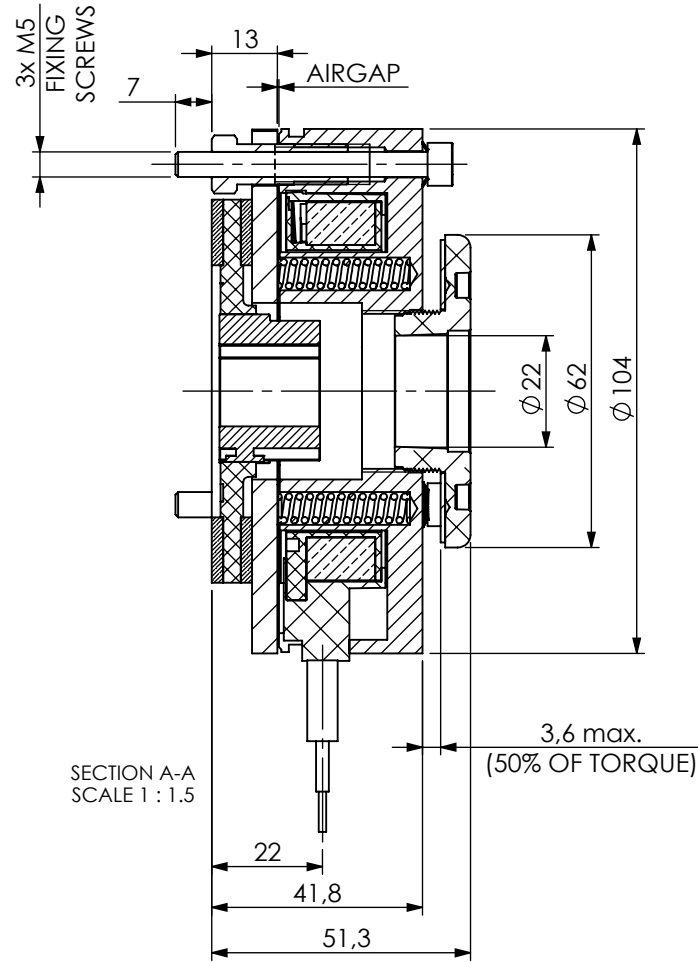
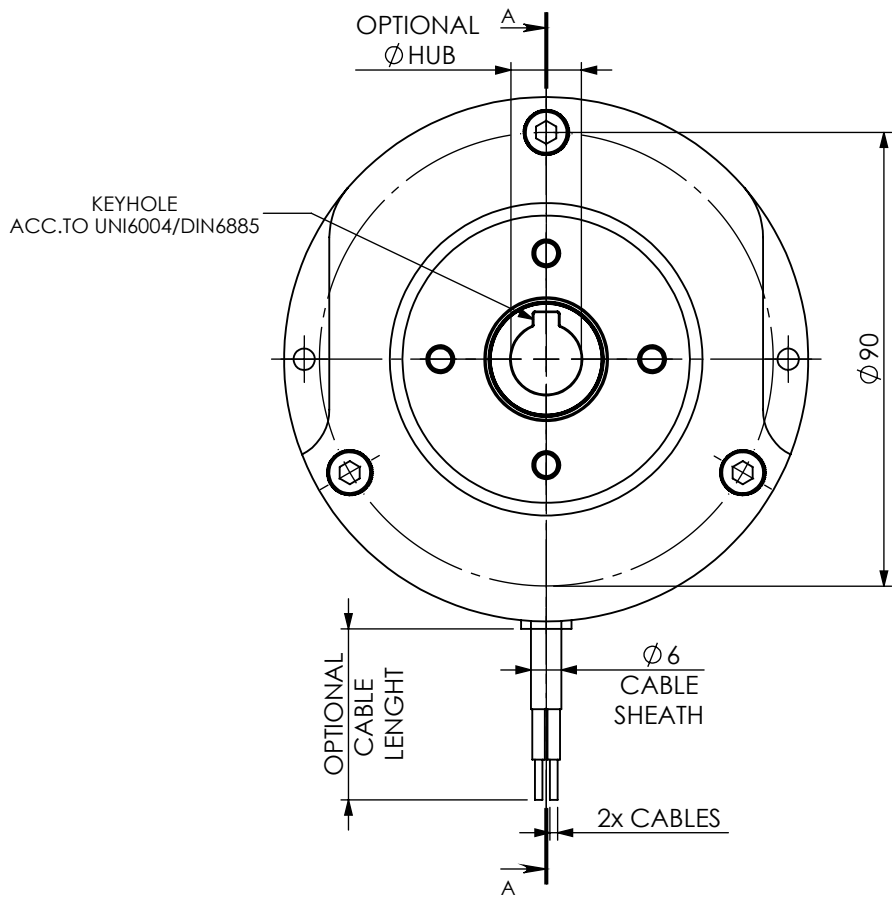
D

A

B

C

D



CHEMICAL TREATMENT:		TERMICAL TREATMENT:		This drawing replaces all previous revisions		REV.: 26/01/2022 15:35:52	
GENERAL TOLERANCES ACCORDING TO: UNI -EN 22768-cK				GENERAL Ra:		6.3 3.2 1.6 0.8 1.2 RETIFICA	
CHARACTERISTICS DEFINITION:				NON DIMENSIONED EDGES: 0,2x45°			
SYMBOL		DEFINITION		DRAWING NAME:			
△n		CRITICAL DIMENSION QUALITY CONTROL BALOON		K02 Brake Group			
○n		STANDARD DIMENSION QUALITY CONTROL BALOON					
MATERIAL:						Temporiti srl Via Mattei, 8 - 20010 Mesero (MI) tel. 02 9787331 - fax 02 97289574	
PESO:		g		DRAWN BY:		CHECKED BY: /	
				SCALE:		1:2	
				PAGE		1 di 1	