

1 2 3 4 5 6

A

B

C

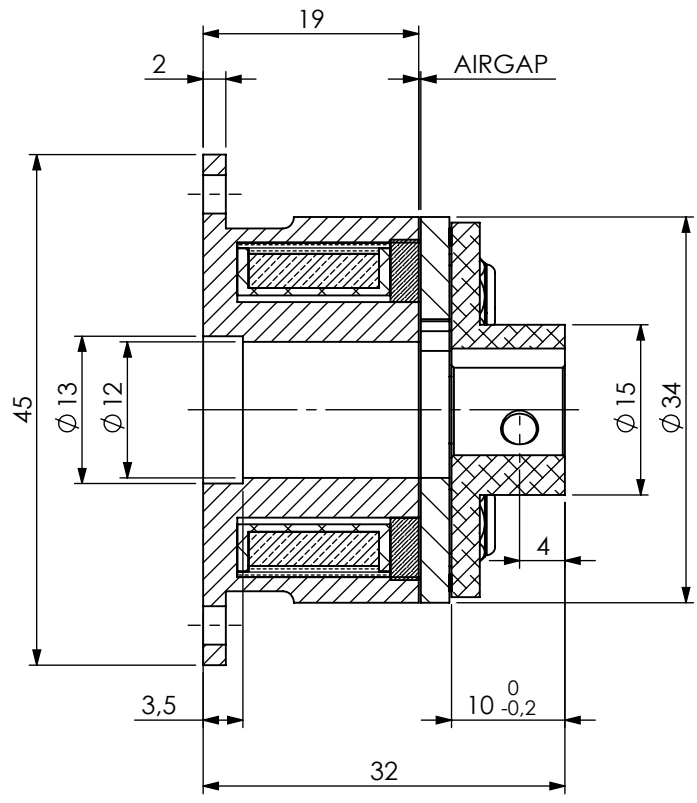
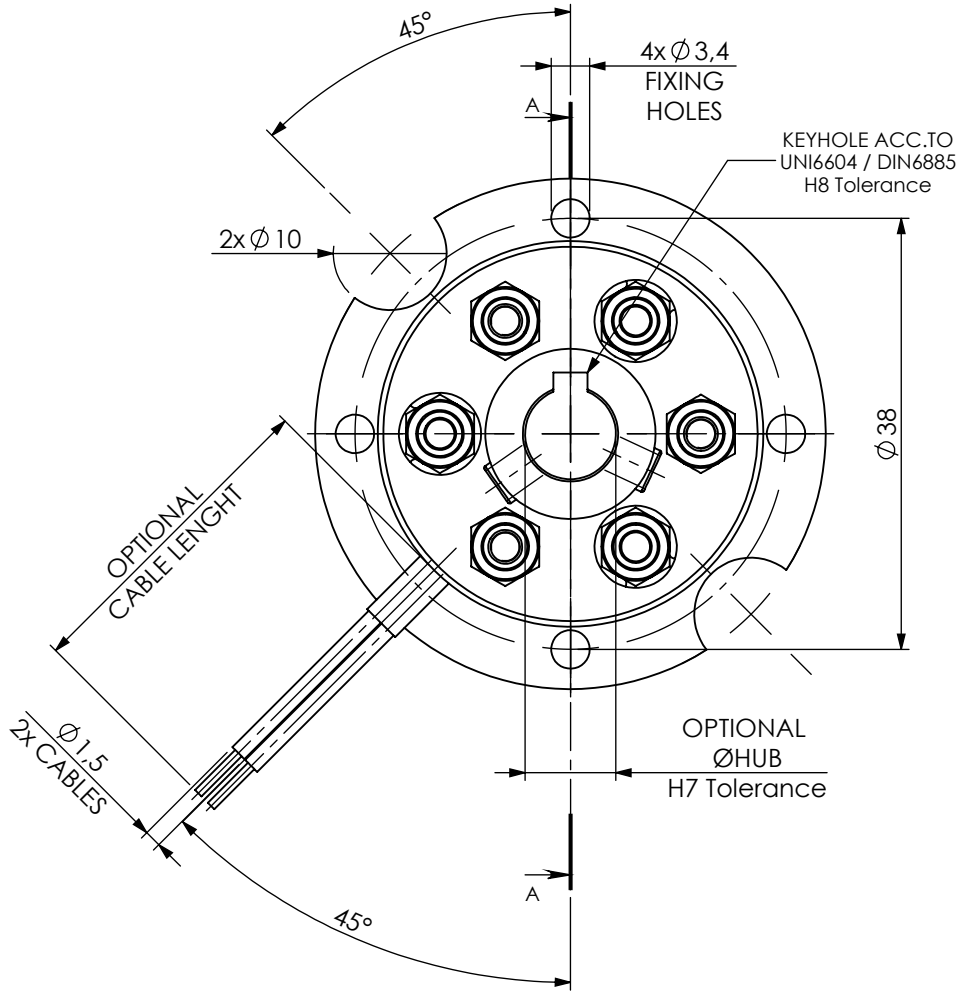
D

A

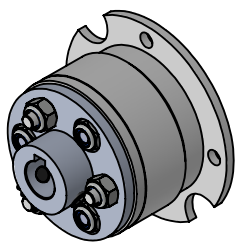
B

C

D



SECTION A-A
SCALE 1.5 : 1



<p>CHIMICAL TRATMENT:</p>	<p>TERMICAL TRATMENT:</p>	<p>This drawing replaces all previous revisions</p>	<p>REV.: 26/04/2022 09:41:23</p>
<p>GENERAL TOLERANCES ACCORDING TO: UNI -EN 22768-cK</p>		<p>GENERAL Ra:</p>	<p>6.3 3.2 1.6 0.8 RETIFICA</p>
<p>CHARACTERISTICS DEFINITION:</p>		<p>NON DIMENSIONED EDGES: 0,2x45°</p>	
<p>SYMBOL</p>	<p>DEFINITION</p>	<p>DRAWING NAME: P0 Brake Group</p>	
<p>\triangle</p>	<p>CRITICAL DIMENSION QUALITY CONTROL BALOON</p>		
<p>\circ</p>	<p>STANDARD DIMENSION QUALITY CONTROL BALOON</p>		
<p>MATERIAL:</p>		<p>Temporiti srl Via Mattei, 8 - 20010 Mesero (MI) tel. 02 9787331 - fax 02 97289574</p>	
<p>PESO:</p>	<p>g</p>	<p>DRAWN BY:</p>	<p>CHECKED BY: /</p>
		<p>SCALE:</p>	<p>1:2</p>
		<p>PAGE 1 di 1</p>	

Il presente disegno è proprietà esclusiva di Temporiti srl che si riserva il diritto di apportare modifiche in qualsiasi momento e senza preavviso. Riproduzione vietata senza autorizzazione.
This drawing is property of Temporiti srl that reserves the right to make changes at any time and without notice. Reproduction forbidden without permission.